

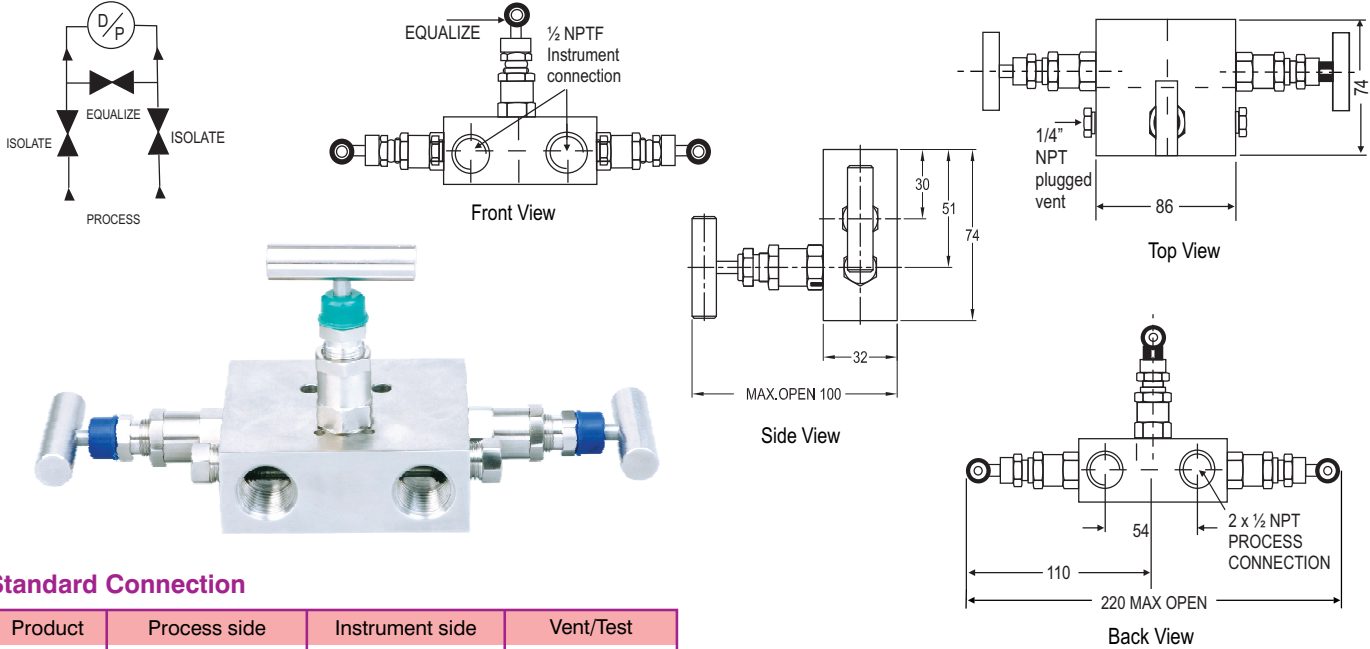
THREE VALVE MANIFOLDS

REMOTE MOUNT (PIPE TO PIPE)



MODEL CODE : K3VS

With two threaded vertical port inlets and outlets, both test connections are positioned on the left and right hand side. The two isolating bonnets are positioned on the left and right hand side and the equalizing bonnet is positioned on the front and two drain plug provided on both side at instrument side.

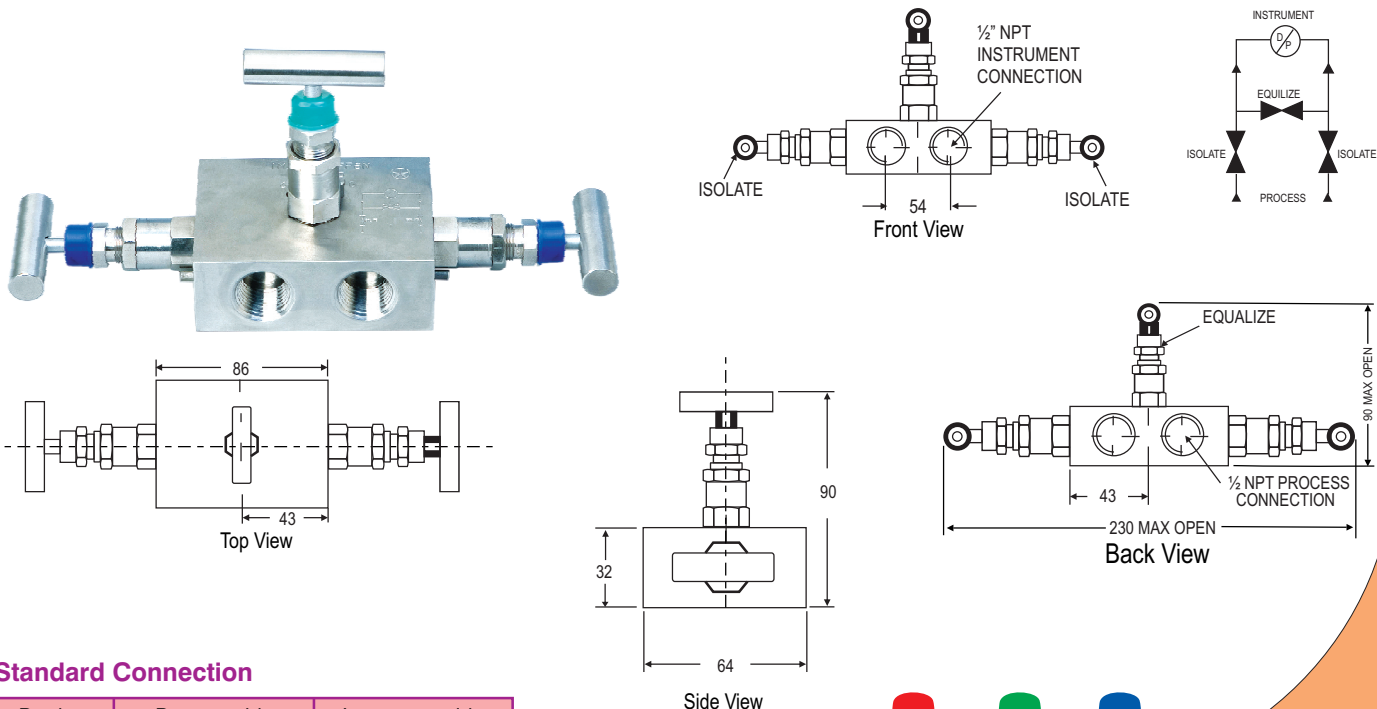


Standard Connection

Product	Process side	Instrument side	Vent/Test
K3VS	1/2" NPT female	1/2" NPT female	1/4" NPT female

MODEL CODE : K3VM

With threaded vertical port inlets and outlets. The isolating bonnets are positioned on the left and right hand side and the equalizing bonnet is positioned on the front. This manifold is specially designed as miniature valve to be remote mounted.



Standard Connection

Product	Process side	Instrument side
K3VM	1/2" NPT female	1/2" NPT female



MANIFOLDS

KLEEV USA INC.

833 Claude Laurel Dr, Apex, NC 27523, USA Telephone : +1(919)-924-0408 Fax : +1(919)-267-3859

Email : info@kleevusa.com Website : www.kleevusa.com

THREE VALVE MANIFOLDS

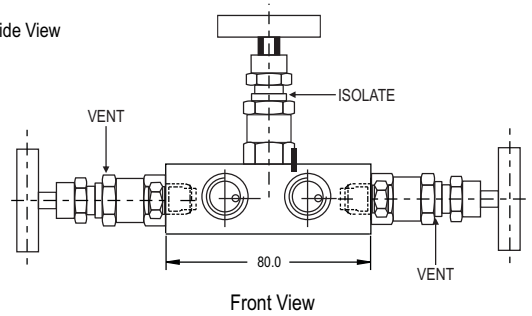
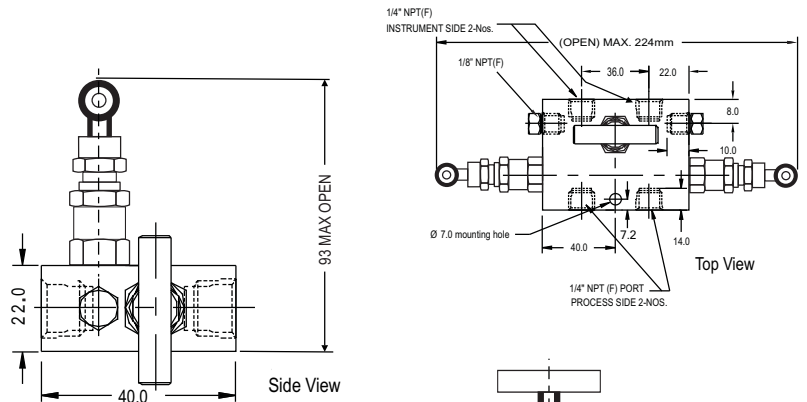
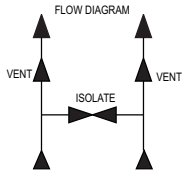
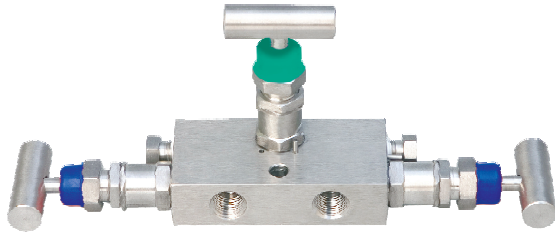
REMOTE MOUNT (PIPE TO PIPE)



MODEL CODE : K3VMN

Three valve **Miniature** manifold with compact design having threaded port for inlet and out let and finds application for isolating and venting the process media . This is used where space is a constraint. The isolating bonnets positioned on top and venting bonnets are positioned on right and left hand side.

Connection : 1/4" (F) For Instrument and process along with 1/8" (F) Drain Maximum Working Pressure 3000 PSI



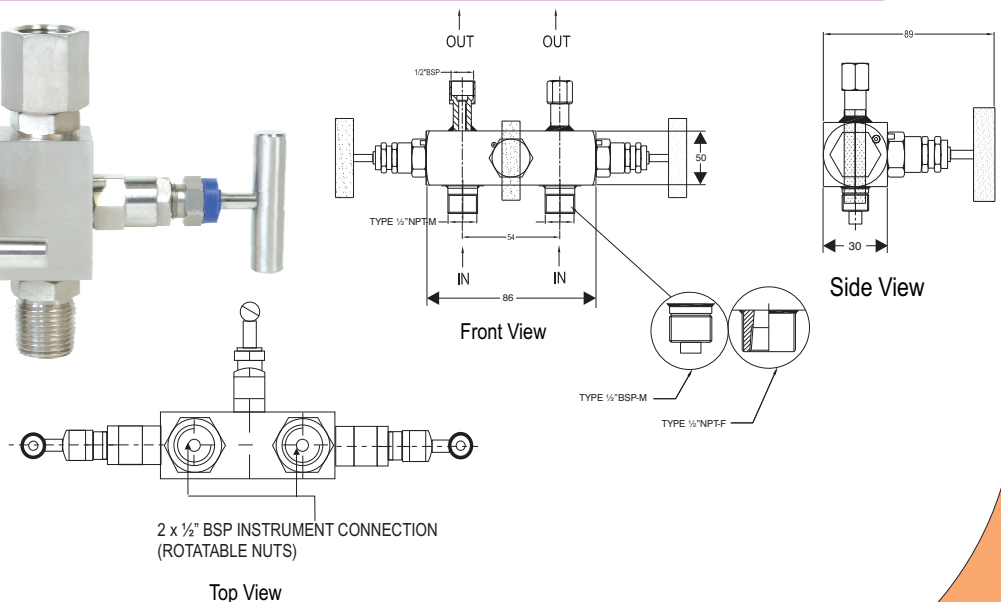
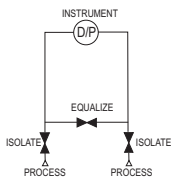
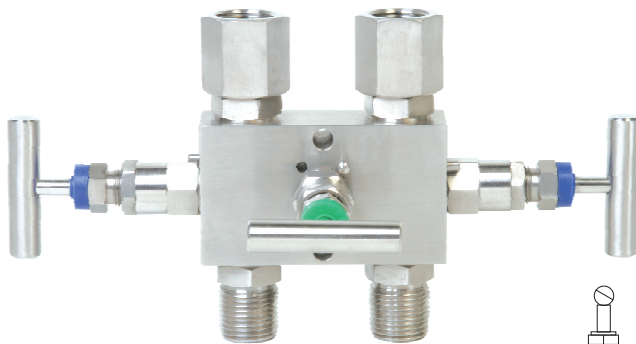
Standard Connection

Product	Process side	Instrument side	Vent/Test
K3VMN	1/4"NPT Female	1/4"NPT Female	1/8" NPT Female

MODEL CODE : K3VC

Three valve manifold for differential pressure gauges. Two horizontal inlets NPT male at bottom side. Two outlets with rotating for nuts 1/2"BSP F on top side. Equalizing bonnet at front, isolating bonnets at left and right hand side.

Also available in 50mm tap spacings Series - 3VC50.



Standard Connection

Product	Process side	Instrument side
K3VC	1/2"NPT male	1/2"BSP Rotatable nuts



MANIFOLDS

KLEEV USA INC.

833 Claude Laurel Dr, Apex, NC 27523, USA Telephone : +1(919)-924-0408 Fax : +1(919)-267-3859

Email : info@kleevusa.com Website : www.kleevusa.com

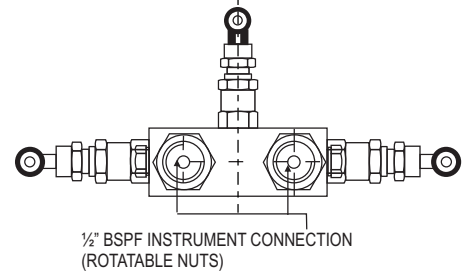
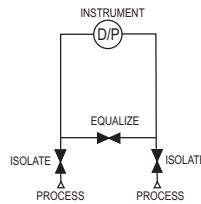
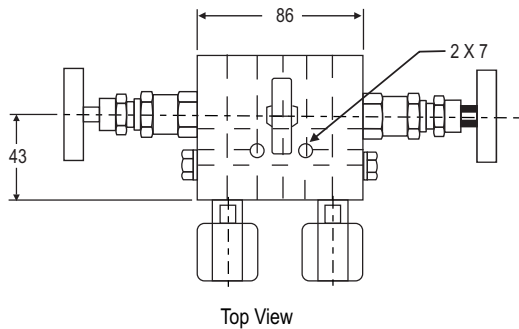
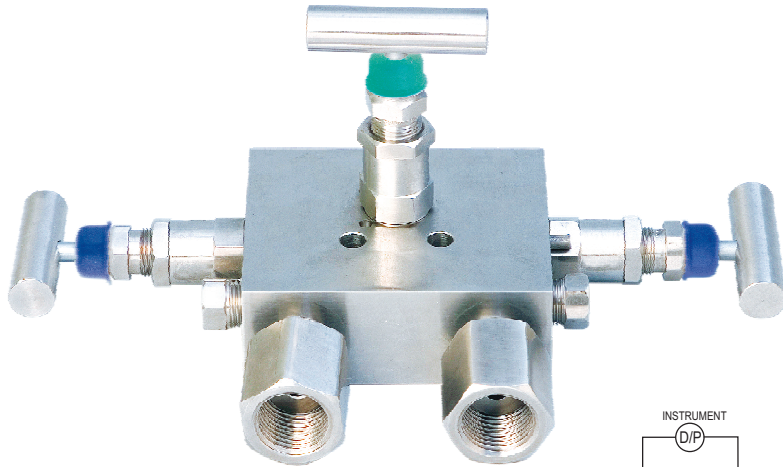
THREE VALVE MANIFOLDS

REMOTE MOUNT (PIPE TO PIPE)

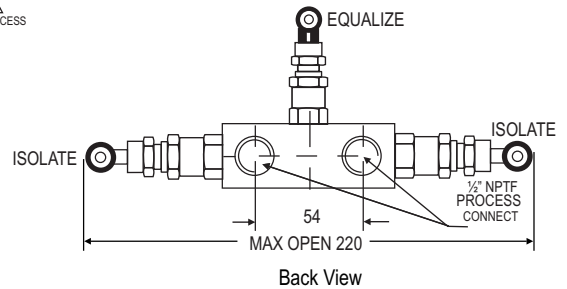
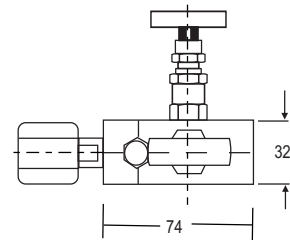
KLEEV USA

MODEL CODE : K3VD

Three valve manifold for differential pressure gauges. Two horizontal inlets NPT female at bottom side. Two outlets with rotating for nuts on top side and vent/test connection on top. Equalizing bonnet at front, isolating bonnets at left and right hand side. Also available in 50mm tap spacings Series - 3VD50.



Front View



Standard Connection

Product	Process side	Instrument side	Vent/Test
K3VD	1/2" NPT Female	1/2" BSP Rotatable nuts	1/4" NPT Female

Specifications - Standard Version K3VS, K3VM, K3VMN, K3VC, K3VD

Body	: SS 316
Stem	: SS 316
Valve assembly	: SS 316
'T' bar handle	: SS 304
Maximum working pressure	: 6000 PSI [not available in Series 3VMN]
Maximum working temperature	: 240°C
Packing	: PTFE
Type of stem	: Type CT; Stem with conical metal tip
Drain port	: 1/4" NPT [F]; provided with SS 316 plug [1/8" NPT (F) available in Series K3VMN]
Hard Chrome plating	: Provided on stem tip
Bracket mounting holes	: 2 Nos. (Not available in Series 3VM)



MANIFOLDS

KLEEV USA INC.

833 Claude Laurel Dr, Apex, NC 27523, USA Telephone : +1(919)-924-0408 Fax : +1(919)-267-3859

Email : info@kleevusa.com Website : www.kleevusa.com

THREE VALVE MANIFOLDS

REMOTE MOUNT (PIPE TO PIPE)



MODEL CODE : K3VS, K3VM, K3VMN, K3VC, K3VD

SPECIFICATIONS - STANDARD VERSION : K3VS, K3VM, K3VMN, K3VC, K3VD

HOW TO ORDER

BASIC MODEL : K3VS, K3VM, K3VMN, K3VC, K3VD

Body Material	Stem Type	Stem Packing	Size = Inlet x Outlet	Connections	Threads
C = Carbon Steel	CT (std)	P = PTFE (std)	24 = 1/4" x 1/4"	FF = Female x Female (Std)	N = NPT (ANSI B 1.20.1)
S = SS 316 (std)	DS	G = Grafoil	44 = 1/2" x 1/2" (std)	SW = Socket Weld	P = BSPP (BS 2779, ISO 228/1)
S4 = SS 304				MR = Male x Female Rotating	B = BSPT (BS 21, ISO 7/1)
SL = SS 316L				FR = Female x Female Rotating	
M4 = Monel 400					
M5 = Monel 500					
H = Hastelloy C					

OPTIONS

- IE : Handle circular.
- TF : Compliance to NACE standard MR-0175.
- SG : For Oxygen service, valves are supplied cleaned, degreased and suitably packed.
- GH : Material test certificate
- GO : Hydro test certificate
- MB : Mounting Bracket
- MBC : Mounting bolts (7/16" UNF) in carbon steel (Model : MBC - M45, MBC - M25)
- MBS : Mounting bolts (7/16" UNF) in SS (Model : MBS - M45, MBS - M25)
- ATV : Anti Tamper valve
- ATK : Anti Tamper key

Ordering Example:

To place an order simply refer to the codes in the table.

Valve Type : Body Material + Stem Type + Stem Packing + Size + Connections + Threads + Options
K3VS + S + CT + P + 44 + FF + N = K3VS-S-CT-P-44-FF-N-Options

NOTE:

- The weld prepared types are available with female plain end - suitable for socket weld.
- Anti-tamper bonnet - special design on request with locking arrangement if desired.



MANIFOLDS

KLEEV USA INC.

833 Claude Laurel Dr, Apex, NC 27523, USA Telephone : +1(919)-924-0408 Fax : +1(919)-267-3859

Email : info@kleevusa.com Website : www.kleevusa.com