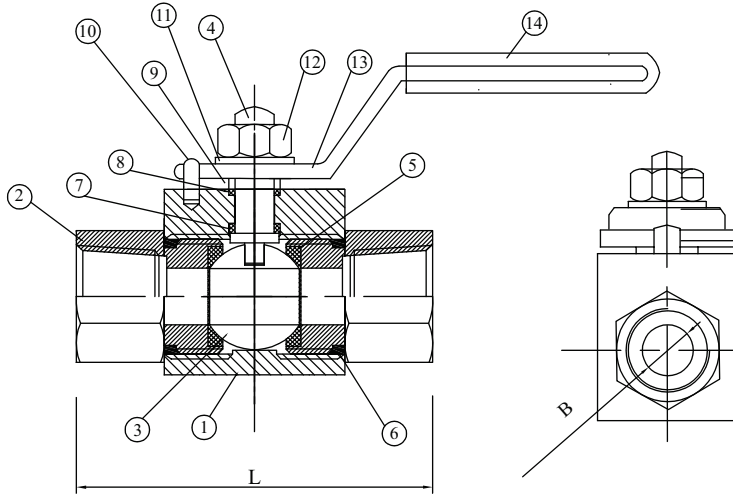


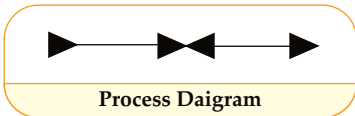
INTRODUCTION

Instrumentation Ball Valve one piece ball stem ensures alignment of stem and orifice it reduce potential leak points does not require system pressure to seal is easily cleaned and purged available in square and round Body

DIMENSIONS



MATERIAL OF CONSTRUCTION			
Sr.No	DESCRIPTION	MATL.	QTY.
1	BODY	SS 316	1
2	CONNECTIONS	SS 316	2
3	BALL	SS 316	1
4	STEM	SS 316	1
5	SEATS	DELTRIN/PEEK	2
6	JOINT SEAL	VITON	2
7	GLAND SEALS	P.T.F.E.	1
8	BACK UP SEAL	P.T.F.E.	1
9	RETAINER	SS 304	1
10	STOP PIN	SS 304	1
11	WASHER	CS PLATED	1
12	STEM NUT	CS PLATED	1
13	HANDLE	CS PLATED/SS	1
14	SLEEVE	P.V.C.	1



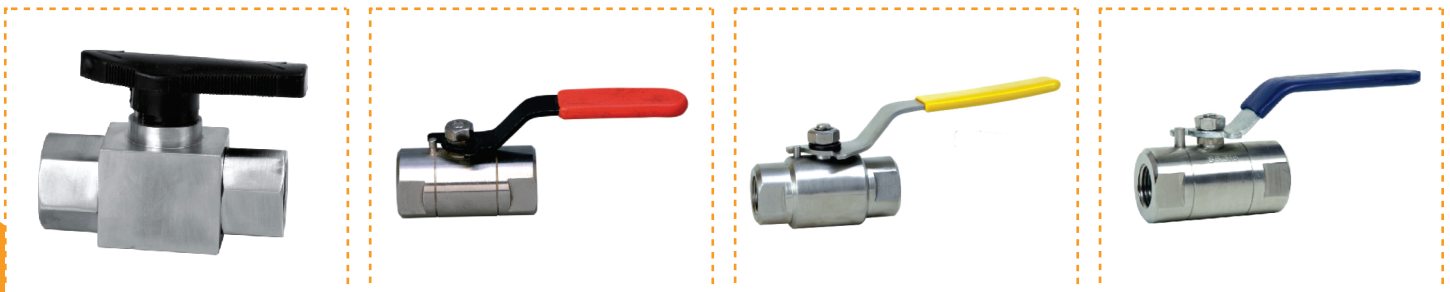
Material of Construction	
C	= Carbon Steel
S	= SS 316 (std)
S4	= SS 304
SL	= SS 316L
M4	= Monel 400
M5	= Monel 500
H	= Hastelloy C

INLET	OUTLET	TPR.6000PSI		TPR.10000PSI	
		L	B	L	B
1/4"NPT(F)	1/4"NPT(F)	58	6.4	65	6.4
3/8"NPT(F)	3/8"NPT(F)	60	8.5	68	8.5
1/2"NPT(F)	1/2"NPT(F)	75	11.5	80	11.5
3/4"NPT(F)	3/4"NPT(F)	80	19	85	19
1"NPT(F)	1"NPT(F)	87	25	95	25
1 1/4"NPT(F)	1 1/4"NPT(F)	112	32	125	32
1 1/2"NPT(F)	1 1/2"NPT(F)	120	38	135	38
2"NPT(F)	2"NPT(F)	130	50	150	50

Optional : KBV 10 - High pressure Ball valves for 10,000 psi pressure

NOTE:

* Dimensions Are For Reference Only. Subject To Change.





HOW TO ORDER

Example

BASIC MODEL								KBV4
TYPE								
BODY MATERIAL								
C	Carbon Steel	SL	SS 316L	M4	Monel 400	H	Hastelloy C	
S	SS 316	S4	SS 304	M5	Monel 500			
STEM TYPE								
CT		DS						
STEM PACKING								
P	PTFE	G	Grafoil					
SIZE = INLET X OUTLET								
22	1/8" x 1/8"	33	3/8" x 3/8"	66	3/4" x 3/4"			
24	1/4" x 1/4"	44	1/2" x 1/2"	88	1" x 1"			
CONNECTIONS								
FF	Female x Female	SW	Socket Weld	TT	Tube x Tube			
MF	Male x Female	MM	Male x Male					
THREADS								
N	NPT (ANSI B 1.20.1)	P	BSPP (BS 2779, ISO 228/1)	B	BSPT (BS 21, ISO 7/1)			
OPTIONS								
CE	Carbon Steel Plated Handle.							
SE	SS Handle							
TF	Compliance to NACE standard MR-0175.							
GH	Material test certificate							
GO	Hydro test certificate							
RB	Round Body (Low Pressure Below 3000 psi)							
SB	Square body (High Pressure Above 3000 psi)							

Note -

The weld prepared types are available with a male-or-female plain end - suitable for socket weld, or male butt weld end. Always specify pipe schedule and further requirements when ordering valves for welded or Flange connections. Panel mounting option for installation in racks and panels.

STANDARD VALVE MATERIALS

Valve	Body	Bonnet	Stem	Tip
Carbon Steel	CS A105	CS A105	SS 304	SS 304
Stainless Steel	SS 316	SS 316	SS 316	SS 316
Monel	Monel	Monel	Monel	Monel

Ordering Example : KBV4 - XX - XX - X - XX - XX - X - XX

For Other Optional Items, Please Contact Factory For Delivery and Minimum Quantity of Order.

Note : Specifications and dimensions given in this product catalogue represents the state of engineering at the time of printing.

Modifications may take place and materials specified may be replaced by others without prior notice.

KLEEV USA INC.

5540 Centerview Drive, Suite 200, Raleigh, NC 27606, USA

Telephone: +1(919)-373-3112 | Fax: +1(919)-373-3105 | Email: info@kleevusa.com | Website: www.kleevusa.com